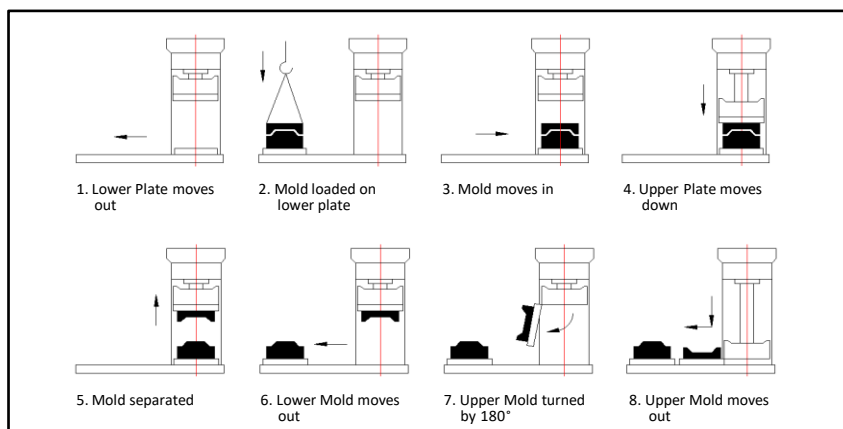




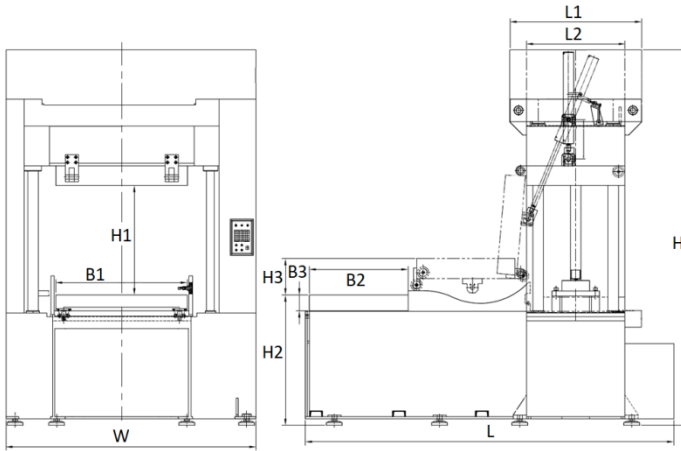
Product Highlights

- A tie bar construction vertical die spotting press machine with excellent panel leveling
- Specially for high precision small to medium size molds and dies
- Fully computerized control with touch-screen display
- Permanent electro-magnetic clamping technology without the need of clamping bolts
- Permanent magnetic protection to keep molds staying in position despite power outage
- Mold-carried swinging angle between 0 - 180° (upper plate)
- Uniform die spotting ink via computerized pressure adjustment
- Optimum working table height
- Light weight --- concrete foundation not necessary
- Safe and reliable
- One-man operation

Operating Flow



Dimensions



Dimensions (mm)	MNLW-50	MNLW-70
L	2000	2800
L1	700	1000
L2	500	750
H	2380	2850
H1	600	830
H2	804	989
H3	150	275
W	1300	1900
B1	600	1000
B2	500	750
B3	105	120

Specification

	MNLW-50	MNLW-70
Maximum closure force (kN)	500	700
Maximum lifting force (kN)	150	200
Maximum stroke (mm)	600	780
Plate separation distance (mm)		
Maximum distance (mm)	600	830
Minimum distance (mm)	0	50
Bolster area (mm)	600 x 500	1000 x 750
Upper Plate		
Up/Down speed (mm/s)	50	50
Permanent magnetic clamping capacity (t)	6	14
Electro-permanent magnetic clamping capacity (t)	24	56
Loading and swinging capacity (t)	0.6	1.5
Swinging angle (°)	0 - 180	0 - 180
Lower Plate		
Magnetic clamping capacity (t)	20	40
Loading capacity (t)	1.5	3
Out stroke travel (mm)	1150	1650
Pressurizing speed (s)		
Motor power (kW)	5.5	11
Dimensions (mm)	2000 x 1300	2800 x 1900
Height (mm)	2400	2850
Weight (t)	3.5	6.5

* Above technical parameters are for reference only and are subjected to the actual device.

Dongguan City AQUAmate Machinery Co., Ltd. reserves the rights of final interpretation and revision.

CONTACT

Welteck Machinery Company
 Unit 2301-02, Prosperity Center,
 25 Chong Yip Street, Kwun Tong,
 Hong Kong
 Tel : (852) 2756 6331
 Fax : (852) 2756 5522
 Email : info@welteck.com
 www.welteck.com

