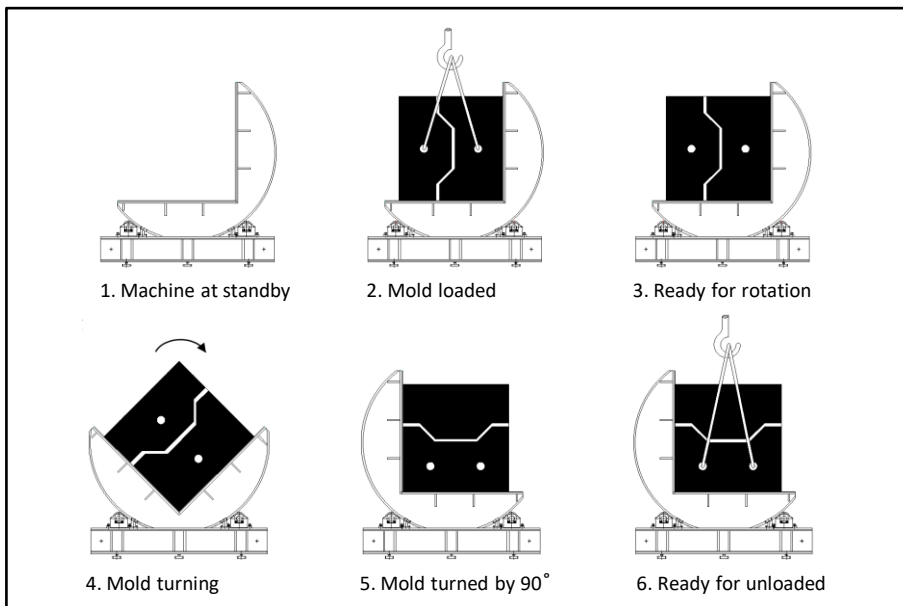




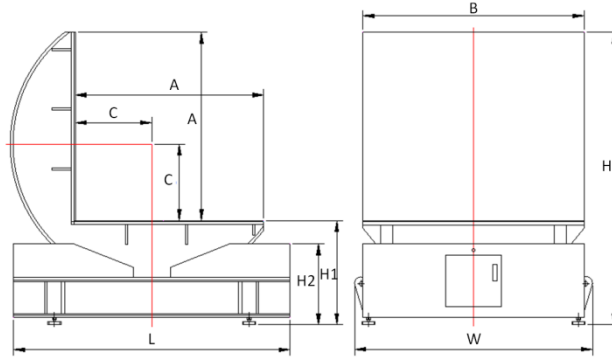
Product Highlights

- Ideal auxiliary equipment for repairing medium to large size molds
- A perfect counterpart in conjunction use with any vertical mold fitting machines
- Auto-locking function activates during power outage to hold the mold firmly at its position to prevent the risk of being tipped over
- Low working table
- Compact structure
- Safe and reliable, overcoming the drawbacks of manual mold turning, which is unsafe and can easily damage the lifter

Operating Flow



Dimensions



	L (mm)	W (mm)	H (mm)	A (mm)	B (mm)	C (mm)	H1 (mm)	H2 (mm)
MF-5	1700	1360	1760	1100	1250	400	660	470
MF-10	1900	1530	2010	1270	1400	500	740	600
MF-15	2200	1730	2210	1400	1600	550	810	640
MF-20	2300	1930	2310	1500	1800	600	820	640
MF-30	2500	2140	2640	1700	2000	700	930	710
MF-50	3400	2350	3270	2200	2200	900	1070	870

Specification

	MF-5	MF-10	MF-15	MF-20	MF-30	MF-50
Turning capacity (t)	5	10	15	20	30	50
0-90° turning time (s)	50	25	30	35	40	60
Bolster area (mm)	1250 x 1100	1400 x 1270	1600 x 1400	1800 x 1500	2000 x 1700	2200 x 2200
Bolster height (mm)	600	700	750	760	870	1000
Dimensions (mm)	1250 x 1600 x 1700	1400 x 1900 x 1950	1600 x 2200 x 2150	1800 x 2300 x 2260	2000 x 2500 x 2585	2200 x 3400 x 3260
Motor power (kW)	1.5	3	5.5	5.5	7.5	11
Weight (t)	2	2.5	3.5	5	7	12

* Above technical parameters are for reference only and are subjected to the actual device.

Dongguan City AQUAmate Machinery Co., Ltd. reserves the rights of final interpretation and revision.

CONTACT

Welteck Machinery Company
 Unit 2301-02, Prosperity Center,
 25 Chong Yip Street, Kwun Tong,
 Hong Kong
 Tel : (852) 2756 6331
 Fax : (852) 2756 5522
 Email : info@welteck.com
 www.welteck.com

